



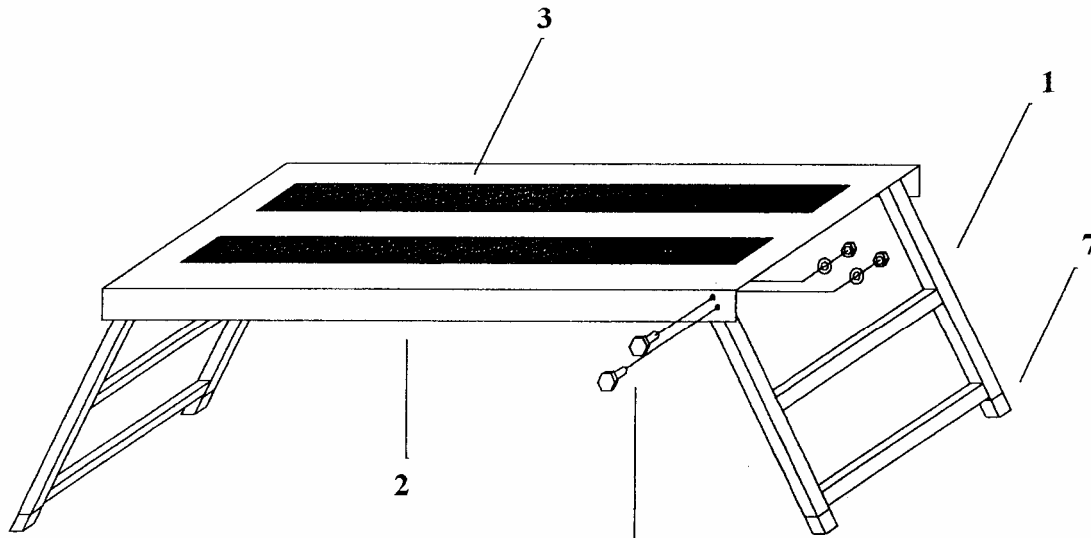
**MADE IN THE USA**

**KEYSCO TOOLS  
DIVISION OF S&H INDUSTRIES**

5200 Richmond Road • Cleveland, OH 44146  
 Phone 216-831-0550 • Toll Free 800-253-9726 •  
 Fax 216-831-9573  
 www.shindustries.com  
 E-Mail: www.service@shindustries.com  
 Rev. 1/19/12

**VAN STAND – 77781**

The Keysco Tools Van Stand was designed for doing prep work on vans, trucks and any other tall vehicles. With its 48” length, 16” width and 18” height, the van stand allows easy access to those hard-to-reach places. Other features include collapsible legs for easy storage, non-skid surface and safety yellow paint.



**4,5,6  
BOLT, LOCKWASHER, NUT  
INSTALL ALL 4 CORNERS**

**DO NOT TIGHTEN HARDWARE UNTIL ALL PARTS ARE INSTALLED**

Key #	Part #	Description	Qty.
1	11361	Leg assembly	2
2	11363	Top tray assembly	1
3	10666	Non-skid tape	8'
4	11358	3/8-16 x 1-1/2" bolt	8
5	11417	3/8" Lock washer	8
6	10202	Hex nut	8
7	10769	Rubber foot	4

**READ CAUTION LABEL ON STAND  
ASSEMBLY INSTRUCTIONS**

1. Lay top tray assembly on its back. Install leg assemblies using 3/8-16 x 1-1/2” bolts as illustrated in drawing.
2. Secure leg assemblies using 3/8” lock washers and 3/8” hex nuts.
3. To collapse legs, remove one 3/8-16 x 1-1/2” bolt from bottom of all four corners and fold legs down.

**USE VAN STAND ON LEVEL SURFACES – READ CAUTION LABEL ON STAND**