



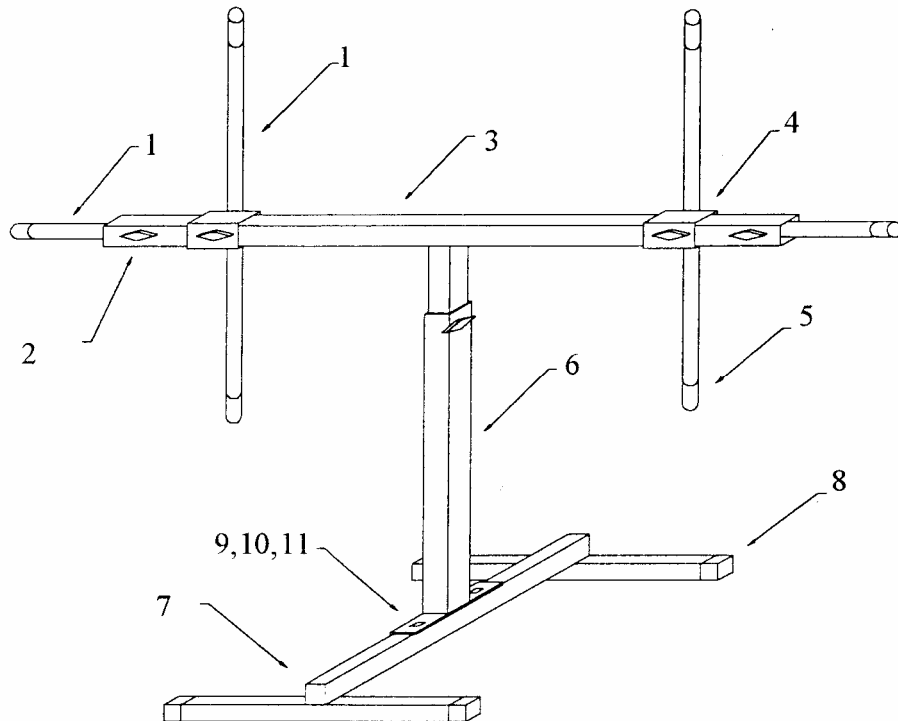
MADE IN THE USA

**KEYSCO TOOLS
DIVISION OF S&H INDUSTRIES**

5200 Richmond Road • Cleveland, OH 44146
 Phone 216-831-0550 • Toll Free 800-253-9726 •
 Fax 216-831-9573
 www.shindustries.com
 E-Mail: www.service@shindustries.com
 Rev. 1/19/12

BUMPER STAND – 77782

The Keysco Tools Bumper Stand holds bumpers securely, allowing the user to perform rough, prep and finish work. The bumper stand can be quickly adjusted (both vertically and horizontally) without tools.



Key #	Part #	Description	Qty.	Key #	Part #	Description	Qty.
1	11490	Pusher tube	4	7	11496	Base	1
2	11497	T-knob	7	8	11381	Tubing cap (square)	4
3	11486	Horizontal tube assy.	1	9	10675	1/4-20 x 2 HHCS	2
4	11489	Slider assy.	2	10	10201	1/4-20 Hex nut	2
5	10688	Tubing cap (round)	6	11	10218	1/4 USS washer	2
6	11493	Vertical support post	1				