



MADE IN THE USA

**KEYSCO TOOLS
DIVISION OF S&H INDUSTRIES**

5200 Richmond Road • Cleveland, OH 44146
Phone 216-831-0550 • Toll Free 800-253-9726 •

Fax 216-831-9573

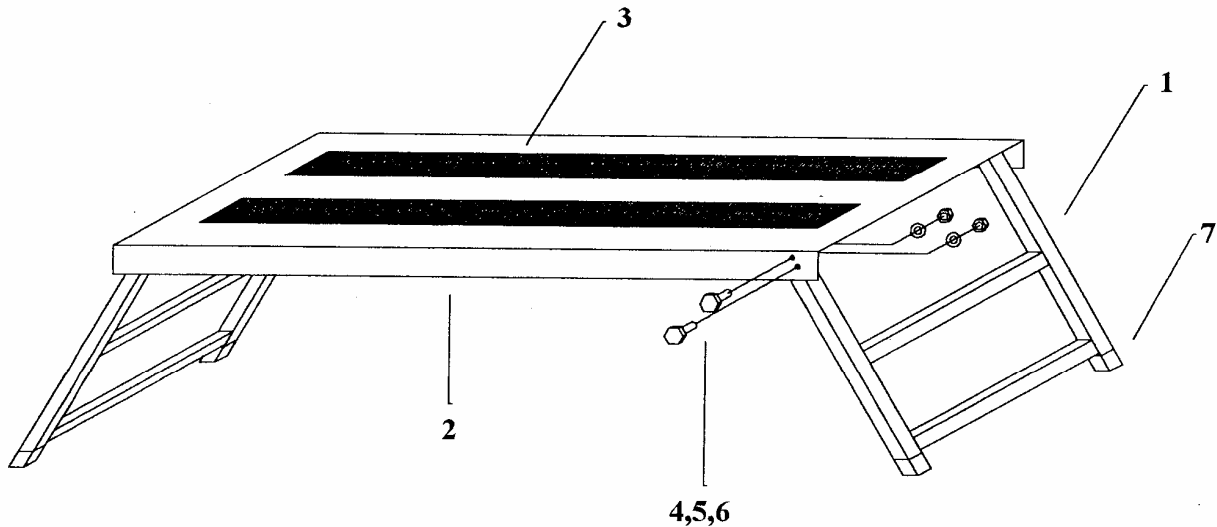
www.shindustries.com

E-Mail: www.service@shindustries.com

Rev. 1/19/12

VAN STAND – 77787

The Keysco Tools Van Stand was designed for doing prep work on vans, trucks and any other tall vehicles. With its 72" length, 16" width and 24" height, the van stand allows easy access to those hard-to-reach places. Other features include collapsible legs for easy storage, non-skid surface and safety yellow paint.



DO NOT TIGHTEN HARDWARE UNTIL ALL PARTS ARE INSTALLED

| Key # | Part # | Description | Qty. |
|-------|--------|----------------------|------|
| 1 | 11872 | Leg assembly | 2 |
| 2 | 11871 | Top tray assembly | 1 |
| 3 | 10666 | Non-skid tape | 10' |
| 4 | 11358 | 3/8-16 x 1-1/2" bolt | 8 |
| 5 | 11417 | 3/8" Lock washer | 8 |
| 6 | 10202 | Hex nut | 8 |
| 7 | 10769 | Rubber foot | 4 |

**READ CAUTION LABEL ON STAND
ASSEMBLY INSTRUCTIONS**

1. Lay top tray assembly on its back. Install leg assemblies using 3/8-16 x 1-1/2" bolts as illustrated in drawing.
2. Secure leg assemblies using 3/8" lock washers and 3/8" hex nuts.
3. To collapse legs, remove one 3/8-16 x 1-1/2" bolt from bottom of all four corners and fold legs down.

USE VAN STAND ON LEVEL SURFACES – READ CAUTION LABEL ON STAND