



**KEYSCO TOOLS
DIVISION OF S&H INDUSTRIES**

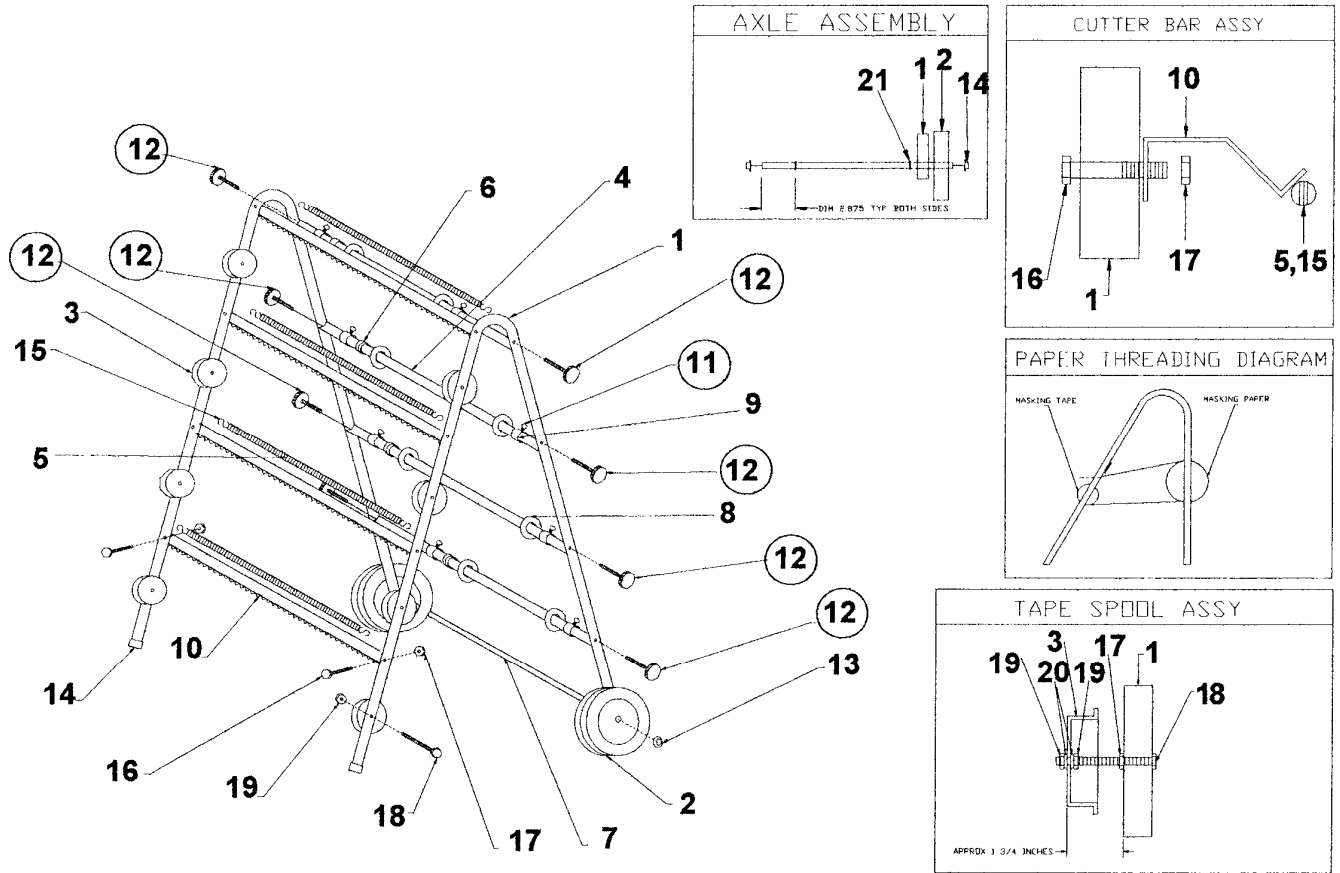
5200 Richmond Road • Cleveland, OH 44146
 Phone 216-831-0550 • Toll Free 800-253-9726 •
 Fax 216-831-9573
 www.shindustries.com
 E-Mail: www.service@shindustries.com

MADE IN THE USA

Rev. 1/19/12

4-ROLL MOBILE MASKER – 78005

The Keysco Tools 4-Roll Mobile Masker is designed to dispense 4 rolls of masking paper in widths up to 18". Keysco Maskers have tape spools on both sides for taping of paper at either end.



DO NOT TIGHTEN HARDWARE UNTIL ALL PARTS ARE INSTALLED

Key #	Part #	Description	Qty.	Key #	Part #	Description	Qty.
1	10709	Leg	2	12	10678	Knob	8
2	40225	Wheel	2	13	10705	Hub cap	2
3	10672	Tape spool	8	14	10688	Tubing cap	2
4	10665	Paper bar	4	15	10689	S-hook	8
5	10669	Extension spring	4	16	10676	1/4-20 x 1-1/2" Bolt	8
6	10222	Paper bar spring	4	17	10201	1/4-20 Hex nut	16
7	10703	Axle	1	18	10217	1/4-20 x 3" Bolt	8
8	10677	Paper bar washer	8	19	10178	1/4-20 Lock nut	16
9	10680	Paper bar collar	8	20	10218	1/4" Flat washer	16
10	10671	Cutter bar	4	21	10706	Retaining ring	2
11	10203	Thumb screw	8				

TOOL-LESS PAPER LOADING

No tools necessary to load paper rolls! Simply remove paper bar (4) by unscrewing two hand knobs (12). Loosen thumb screw (11) and remove paper bar collar (9) and paper bar washer (8). Install paper roll on paper bar and assemble in reverse order. Hand-tighten thumb screw (11) and knobs (12).