



**KEYSCO TOOLS  
DIVISION OF S&H INDUSTRIES**

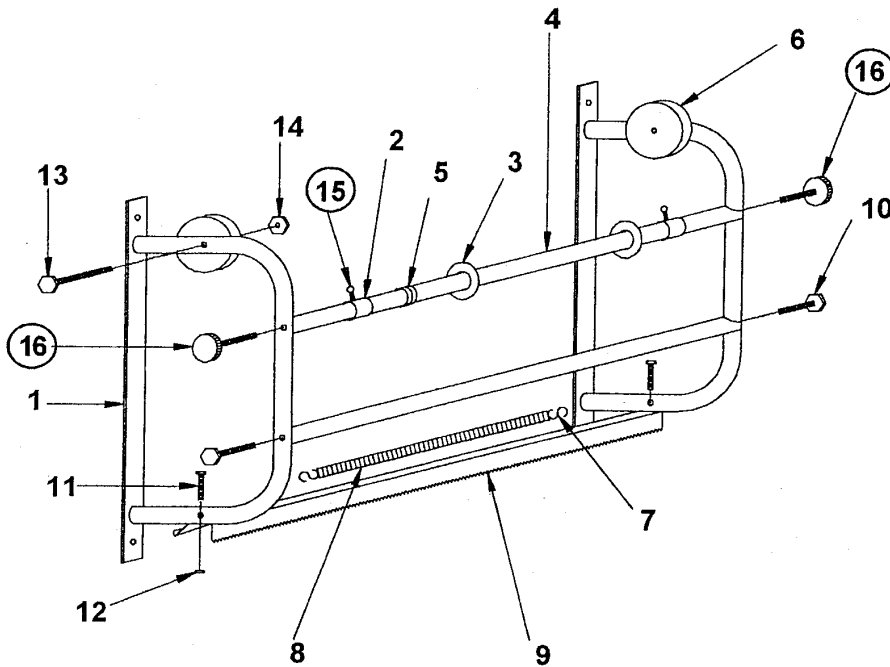
5200 Richmond Road • Cleveland, OH 44146  
 Phone 216-831-0550 • Toll Free 800-253-9726 •  
 Fax 216-831-9573  
 www.shindustries.com  
 E-Mail: www.service@shindustries.com

**MADE IN THE USA**

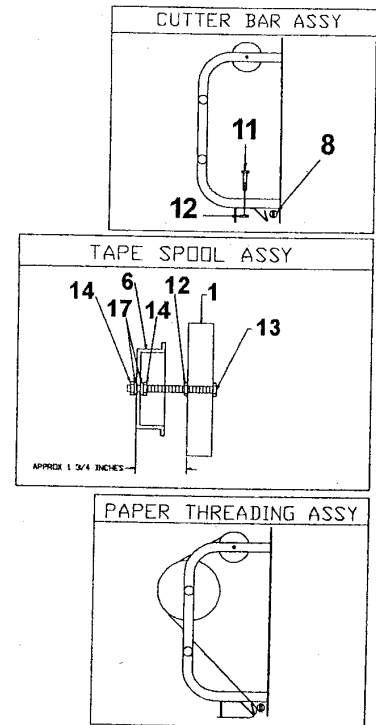
Rev. 3/19/14

**18" WALL MOUNT MASKER – 78011**

The Keysco Tools 18" Wall Mount Masker is designed to dispense masking paper in widths up to 18". Keysco Maskers have tape spools on both sides for taping of paper at either end. The wall mount masker also has mounting bars for permanent mounting.



**\*\*WALL MOUNTING HARDWARE NOT INCLUDED\*\***



**DO NOT TIGHTEN HARDWARE UNTIL ALL PARTS ARE INSTALLED**

Key #	Part #	Description	Qty.	Key #	Part #	Description	Qty.
1	10734	Leg	2	10	10675	1/4-20 x 2" Bolt	2
2	10680	Paper bar collar	2	11	10676	1/4-20 x 1-1/2" Bolt	2
3	10677	Paper bar washer	2	12	10201	1/4-20 Hex nut	4
4	10665	Paper bar	2	13	10217	1/4-20 x 3" Bolt	2
5	10222	Paper bar spring	1	14	10178	1/4-20 Lock nut	4
6	10672	Tape spool	2	15	10203	Thumb screw	2
7	10689	S-hook	2	16	10678	Knob	2
8	10669	Extension spring	1	17	10218	1/4" Flat washer	4
9	10742	Cutter bar	1				

**TOOL-LESS PAPER LOADING**

No tools necessary to load paper rolls! Simply remove paper bar (4) by unscrewing two hand knobs (16). Loosen thumb screw (15) and remove paper bar collar (2) and paper bar washer (3). Install paper roll on paper bar and assemble in reverse order. Hand-tighten thumb screw (15) and knobs (16).