

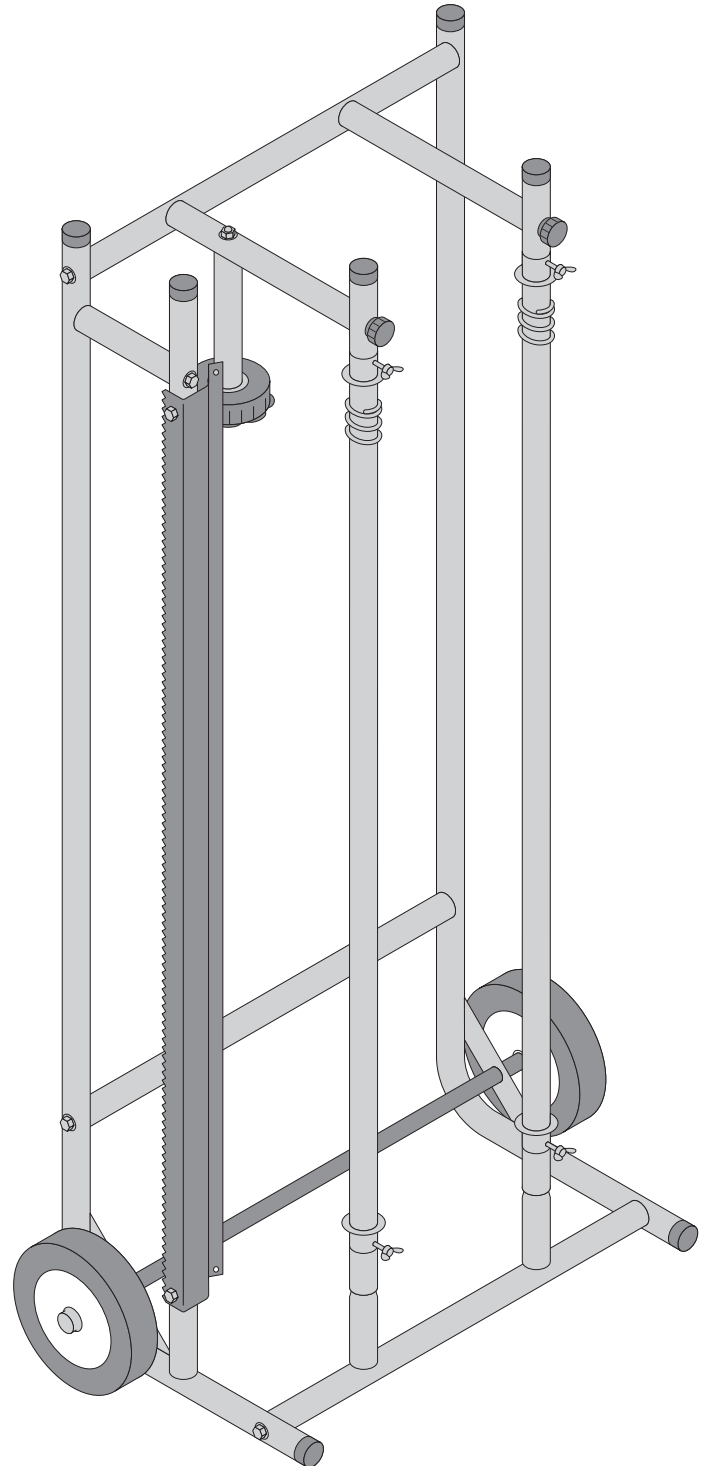


PARTS LIST

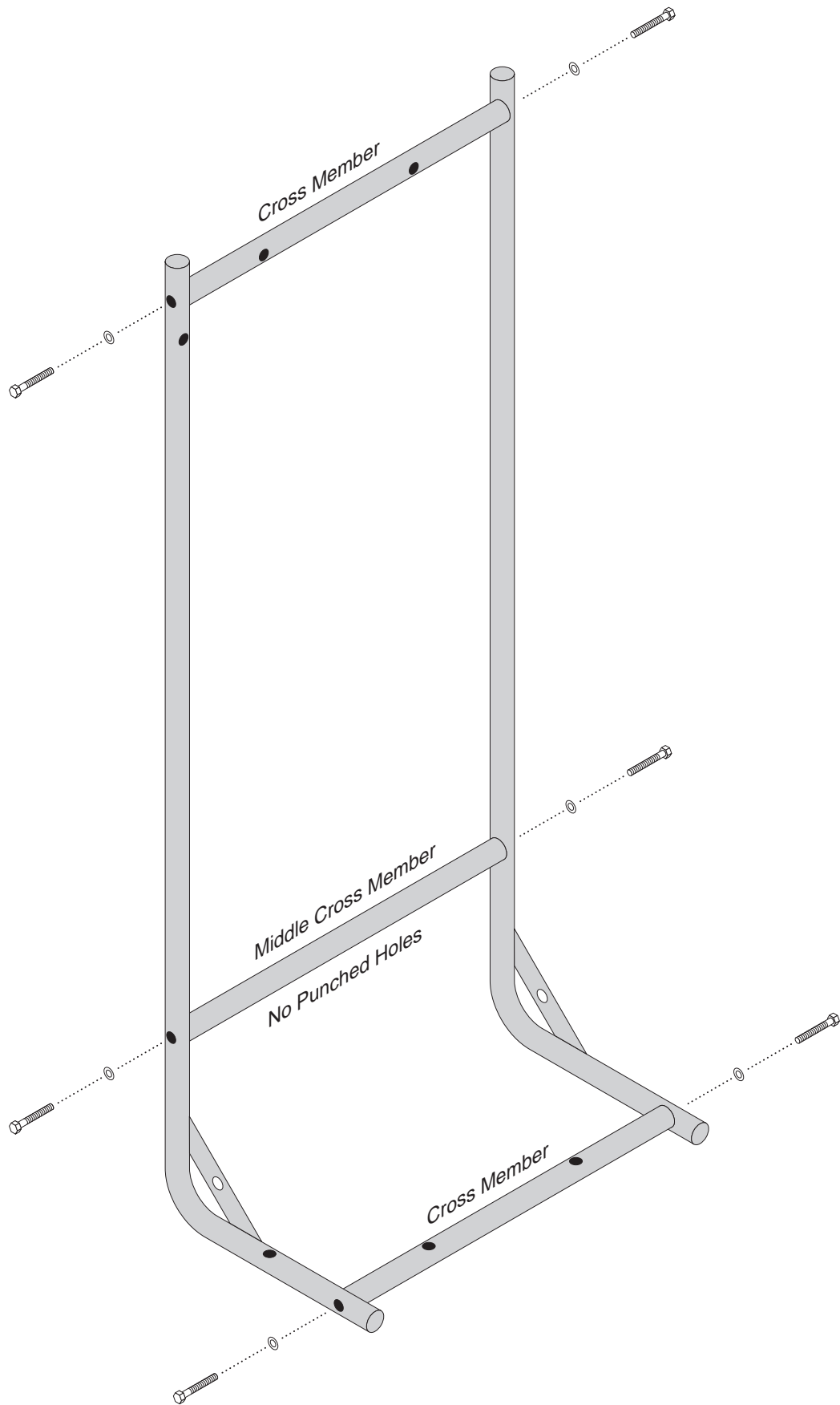
MASKER: Vertical

Part #78012

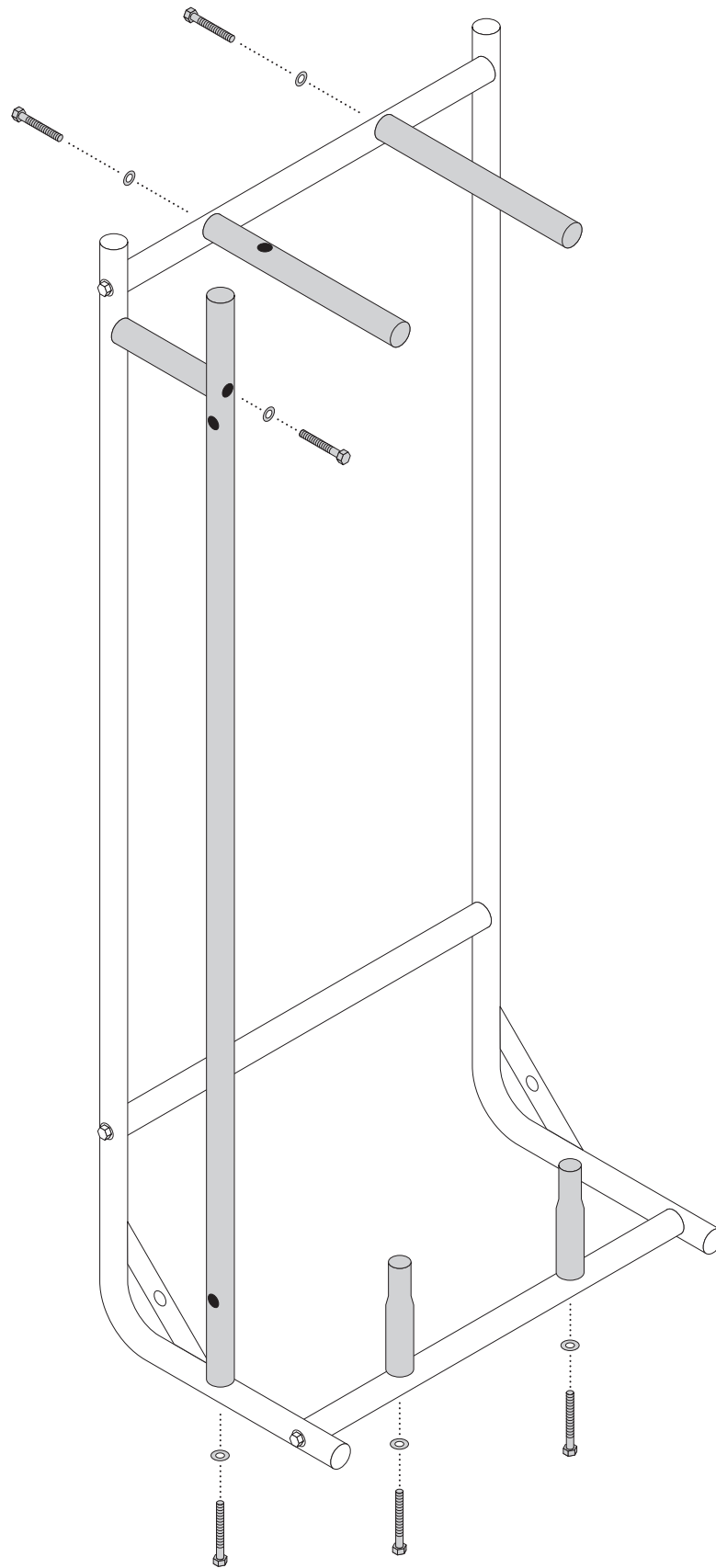
PART#	DESCRIPTION	QUANTITY
10676	1/4"-20 X 1 1/2" Bolt	2
10188	1/2" Flat Washer	4
10201	1/4"-20 Hex Nut	2
10675	1/4"-20 X 2" Bolt	13
10218	1/4" Flat Washer	19
10178	1/4"-20 Lock Nut	1
12722	1/4" X 1 1/4" Fender Washer	1
10204	1/4"-20 Acorn Nut	1
10678	1/4"-20 X 2" Knob	2
11675	Wing Nut	1
10689	S - Hook	2
10694	Extension Spring	1
10680	Paper Bar Collar	4
10677	Paper Bar Washer	4
10222	Paper Bar Spring	2
10672	Tape Spool	1
10751	Tape Spool Rod	1
10752	Tape Spool Rod Cover	1
40225	6" Wheel	2
11190	Axle	1
10705	Hub Cap	2
10688	Tubing Cap	7
11191	Leg - Left	1
11192	Leg - Right	1
11185	Paper Bar Retainer Post	2
11194	Paper Bar Cross Member	1
12719	Paper Bar Retainer Post (Lower)	2
10696	Cutter Bar	1
11187	Cutter Bar Retainer Post	1
11193	Cutter Bar Cross Member	1
11196	Middle Cross Member	1
11186	Cross Member	2



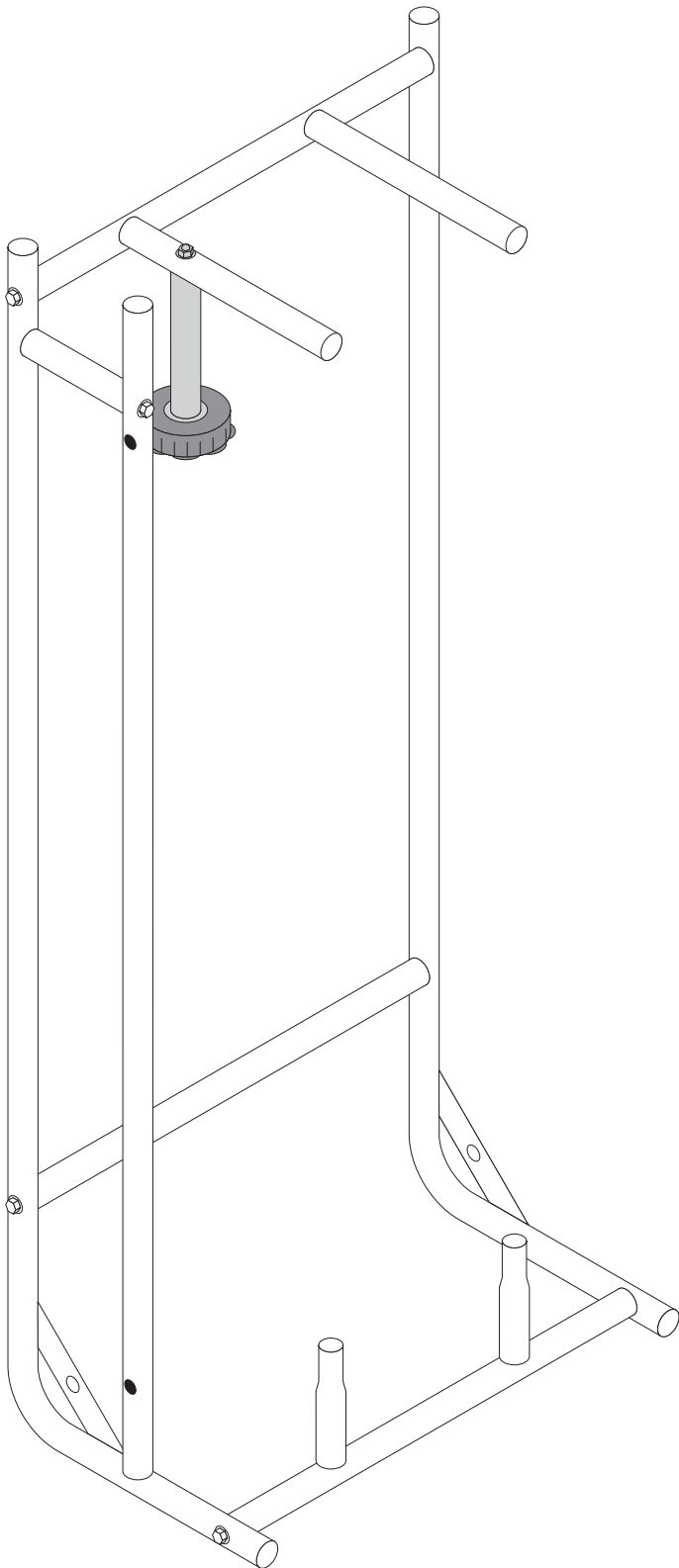
STEP 1. **Assemble the main frame tubing** using 1/4"-20 X 2" bolts and 1/4" washers either while vertical, or lying on the floor. **Note the locations of all punched holes** in all tubing to ensure proper assembly.



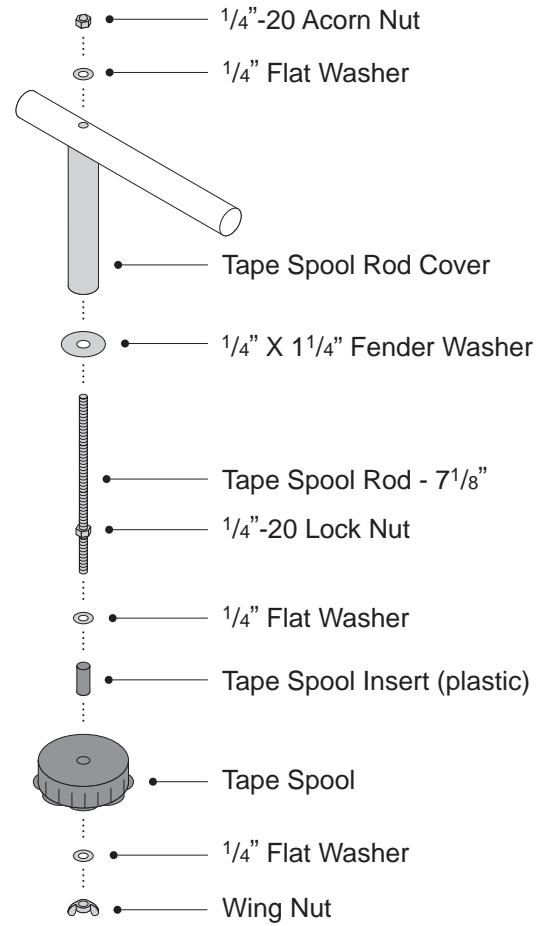
STEP 2. **Add the additional vertical and horizontal tubing** using 1/4"-20 X 2" bolts and 1/4" washers. **Note the locations of all punched holes** in tubing to ensure proper location.



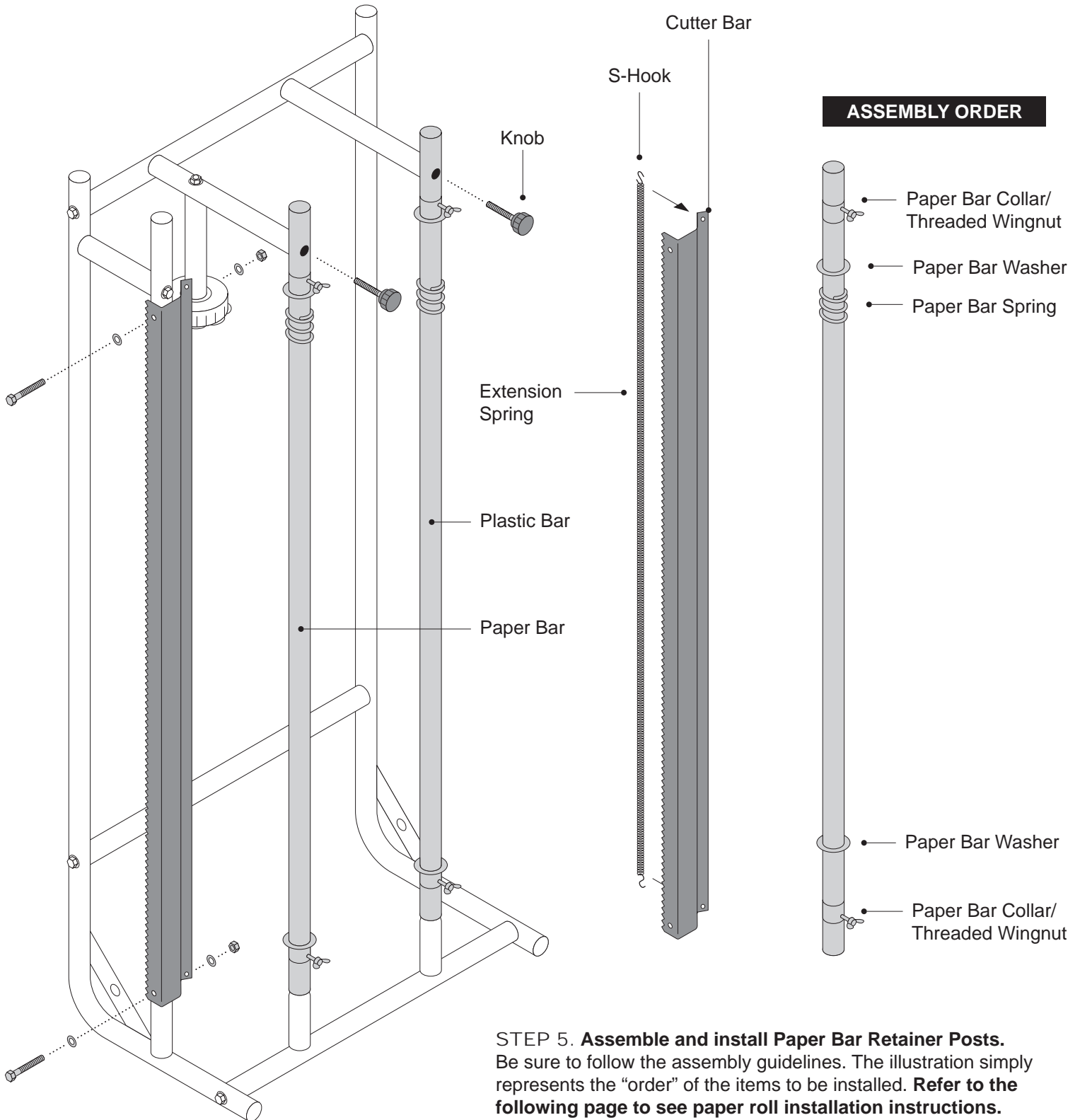
STEP 3. Assemble and install the tape spool assembly.



TAPE SPOOL ASSEMBLY



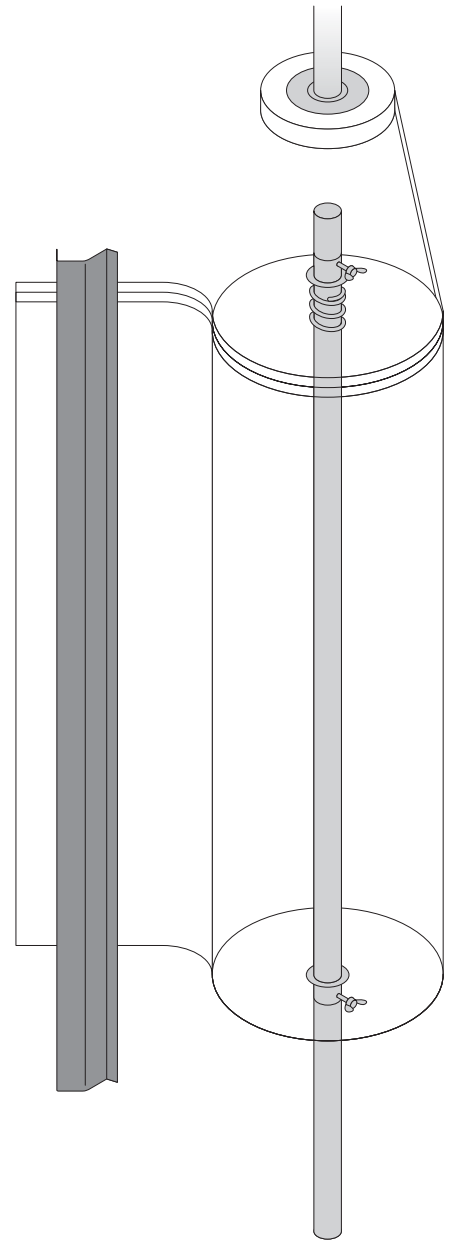
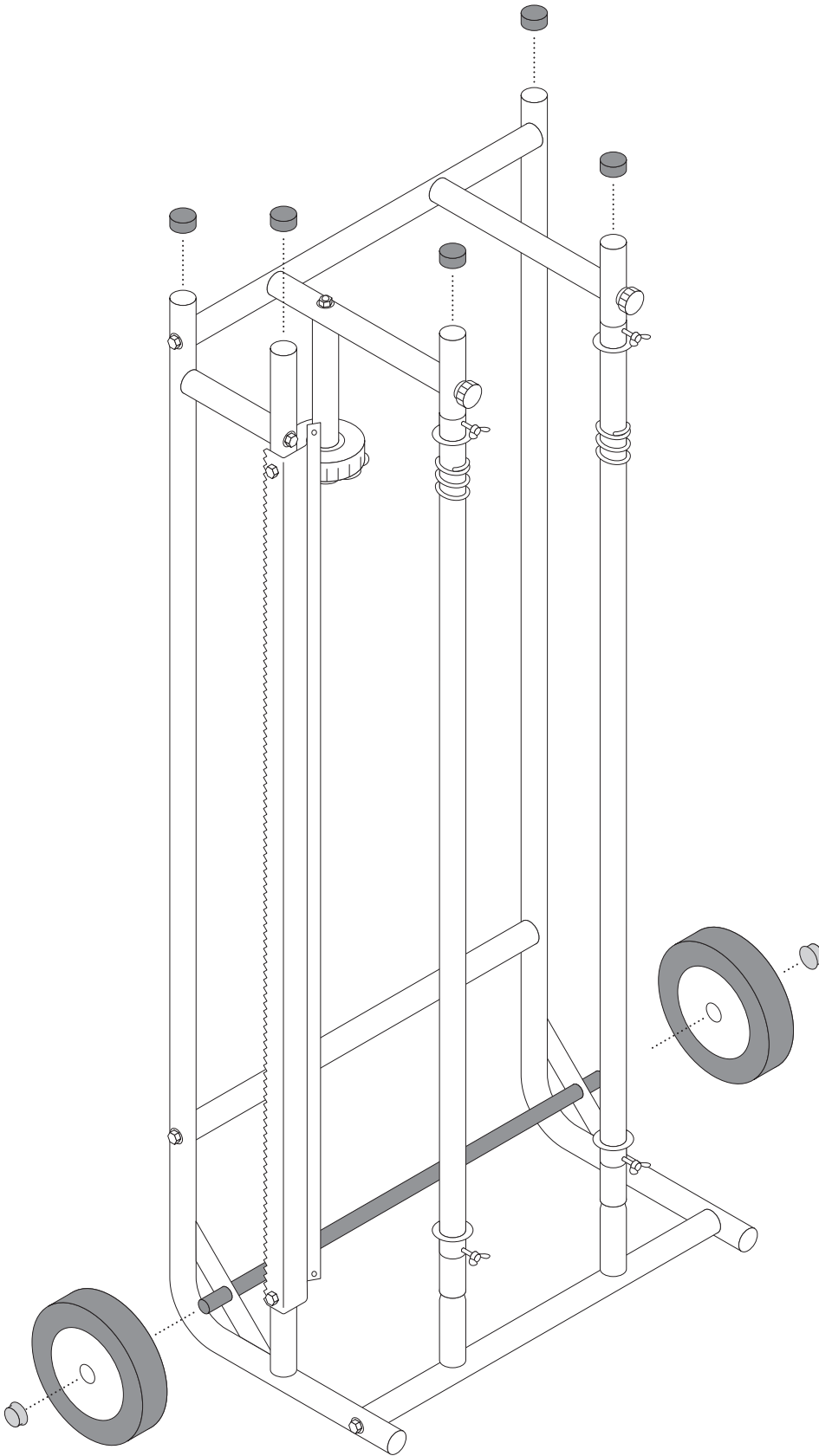
STEP 4. Install the Extension Spring and Cutter Bar assembly. First, attach the supplied S-Hooks to each end of the Extension Spring. Next, attach spring to the BACK of the Cutter Bar assembly. Lastly, you will use the two 1/4"-20 X 1 1/2" Bolts. **NOTE:** Ensure that the cutting edge is on the OUTSIDE and facing toward the BACK as shown and that the extension spring is NOT visible from the front.



STEP 5. Assemble and install Paper Bar Retainer Posts. Be sure to follow the assembly guidelines. The illustration simply represents the "order" of the items to be installed. **Refer to the following page to see paper roll installation instructions.** Once all items are installed on retainer posts, slide them over the lower posts and secure with 1/4"-20 X 2" Knobs.

STEP 6. **Final assembly.** Install all tubing caps axle, wheels and hubcaps. **Congratulations!**

Travel Direction of Paper and Tape/Locations of Springs, Washers and Collars. (Front View)



Springs rest on TOP of paper or plastic rolls. Push Paper Bar collar down against the Spring to reach desired paper roll tension and tighten.

Secure taped paper behind Spring on the back of the Cutter Bar.

PART NUMBER BREAKDOWN for ORDERABLE PARTS

NOTE: EVERY part is orderable.
If you do NOT see an item called out in this illustration (such as specific nuts, bolts, washers etc.) refer to the **parts list** and contact S&H Industries to happily assist in your order.

