



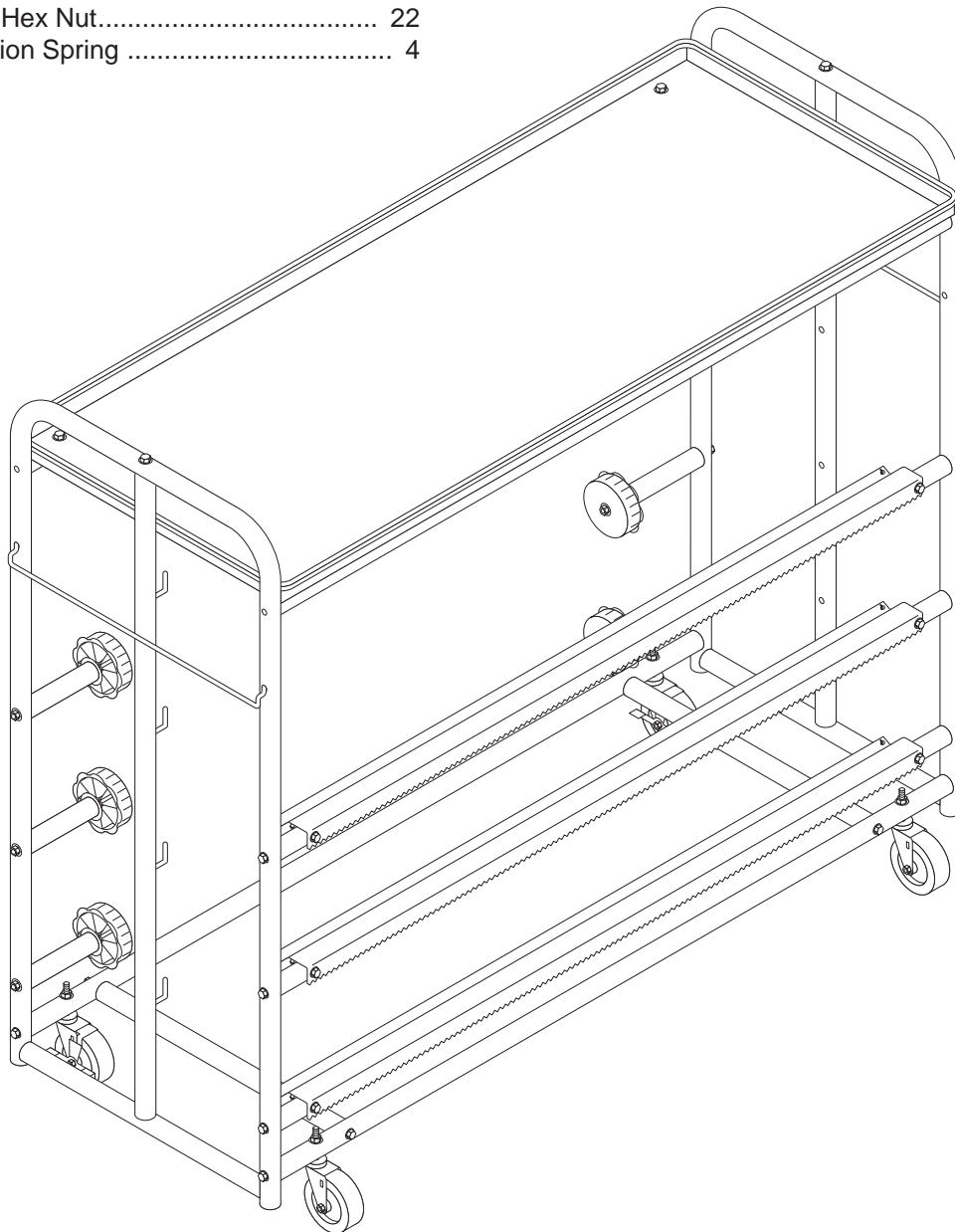
**PARTS LIST**

| PART# | DESCRIPTION                     | QUANTITY |
|-------|---------------------------------|----------|
| 11180 | End Support Assembly (LEFT)     | 1        |
| 12725 | End Support Assembly (RIGHT)    | 1        |
| 10750 | Lower Horizontal Cross Member   | 2        |
| 10741 | Horizontal Support              | 2        |
| 10748 | Cutter Bar Retainer             | 3        |
| 10749 | Paper Roll Bar                  | 4        |
| 10747 | Tray Support                    | 2        |
| 10754 | Tray                            | 1        |
| 10696 | Cutter Bar                      | 3        |
| 10689 | S-Hook                          | 8        |
| 10751 | Tape Spool Rod                  | 6        |
| 10752 | Tape Spool Rod Cover            | 6        |
| 10672 | Tape Spool                      | 6        |
| 10759 | Protective Edging (flex rubber) | 11 Feet  |
| 10676 | 1/4"-20 X 1 1/2" Bolt           | 10       |
| 10675 | 1/4"-20 X 2" Bolt               | 18       |
| 10201 | 1/4"-20 Hex Nut                 | 22       |
| 10694 | Extension Spring                | 4        |

**Prep Station**

**Part #78015**

| PART# | DESCRIPTION                 | QUANTITY |
|-------|-----------------------------|----------|
| 10178 | 1/4"-20 Lock Nut            | 6        |
| 10202 | 3/8"-16 Hex Nut             | 4        |
| 10204 | 1/4"-20 Acorn Nut           | 6        |
| 10218 | 1/4" Flat Washer            | 56       |
| 12722 | 1/4" X 1 1/4" Fender Washer | 6        |
| 12724 | 1" X 2 1/2" Washer          | 3        |
| 10195 | 3/8" Flat Washer            | 8        |
| 10678 | 1/4"-20 X 2" Knob           | 4        |
| 10677 | Paper Bar Washer            | 12       |
| 10221 | Paper Bar Spring            | 5        |
| 10680 | Paper Bar Collar            | 12       |
| 10755 | Swivel Caster               | 2        |
| 10756 | Swivel Caster with Brake    | 2        |
| 10757 | Paint Gun Rod               | 2        |



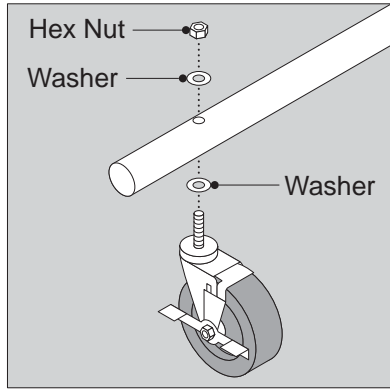
**STEP 1. Assemble the wheel base**

using 1/4"-20 X 2" bolts, 1/4" washers.

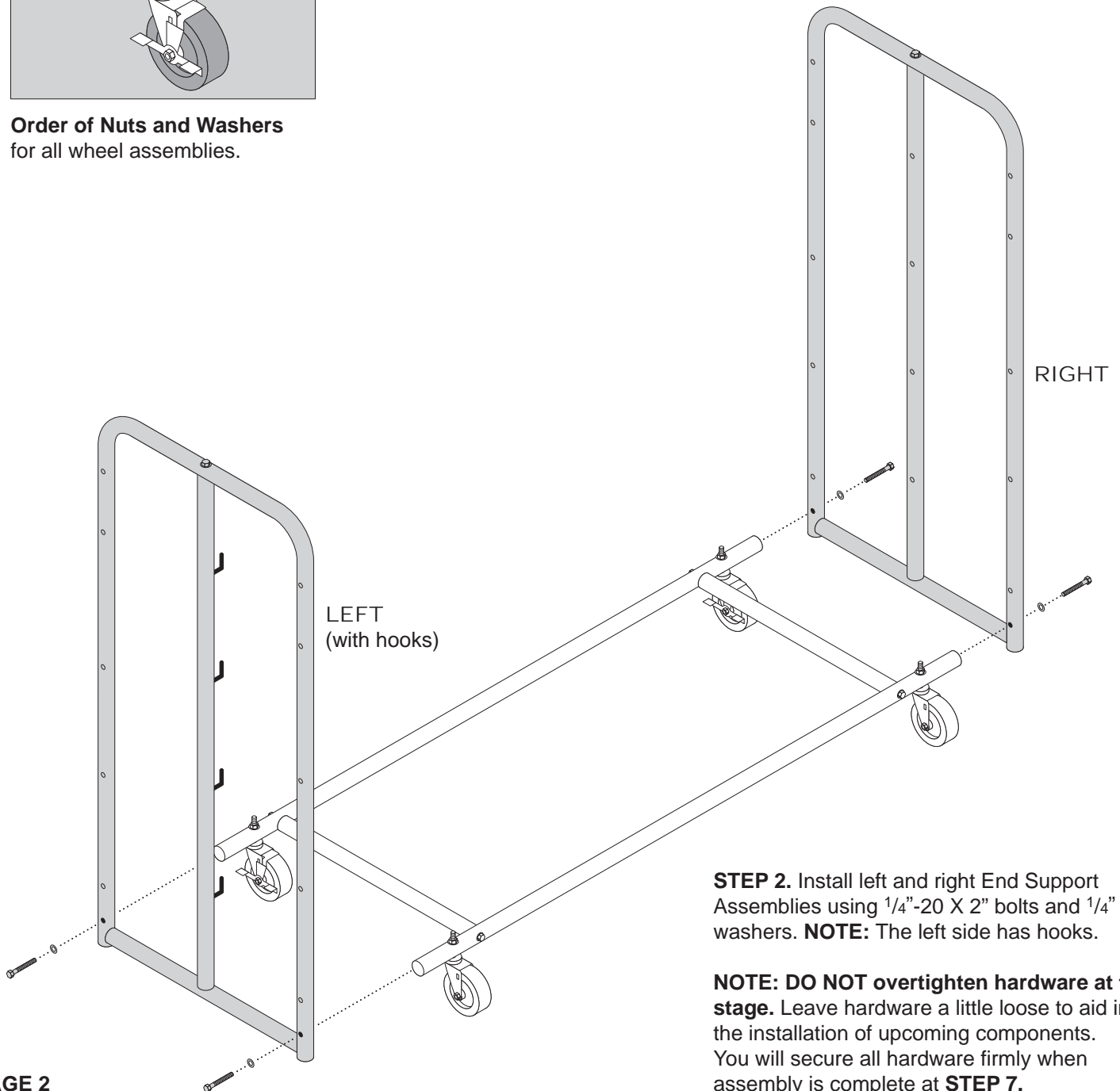
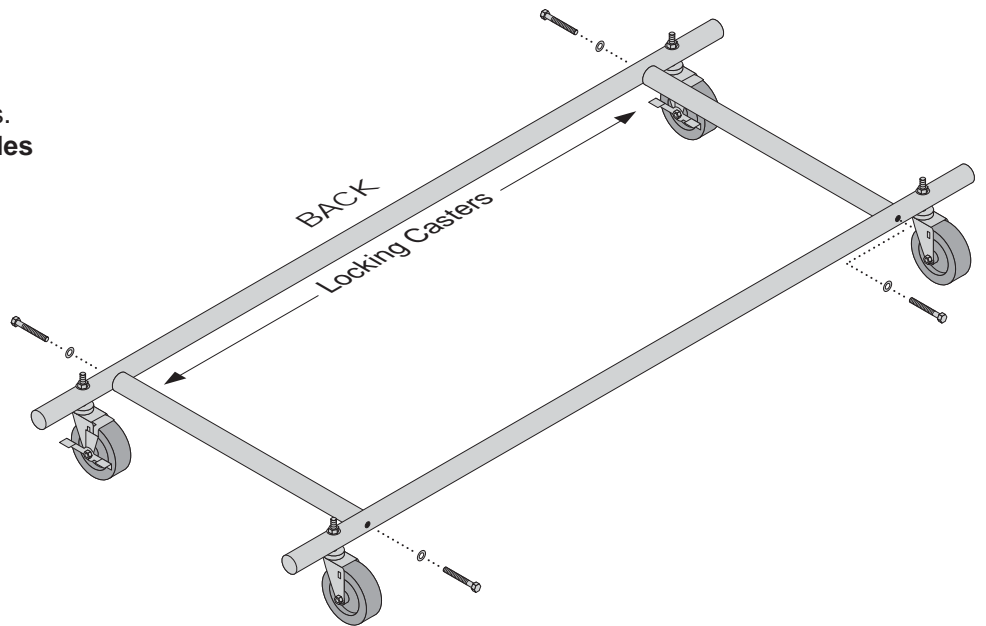
**Next**, assemble and attach the casters using 3/8" washers and 3/8"-16 Hex Nuts.

**Note the locations of all punched holes** in all tubing to ensure proper assembly.

**NOTE: The 2 locking casters** will be installed at the **BACK** of the base.



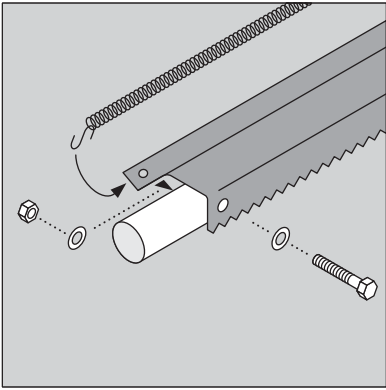
**Order of Nuts and Washers**  
for all wheel assemblies.



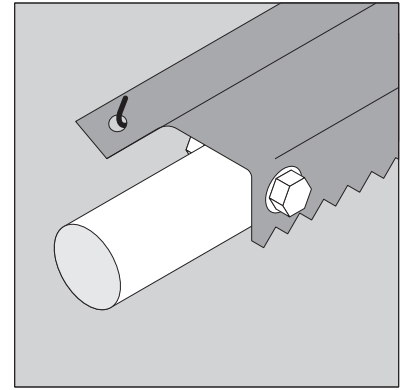
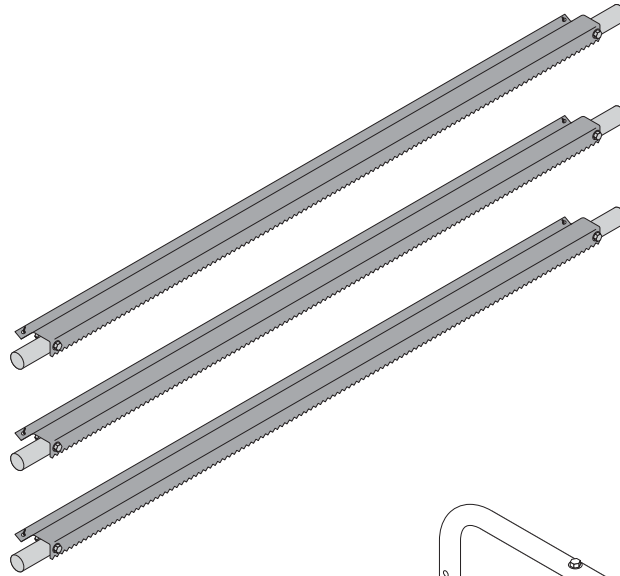
**STEP 2.** Install left and right End Support Assemblies using 1/4"-20 X 2" bolts and 1/4" washers. **NOTE:** The left side has hooks.

**NOTE: DO NOT overtighten hardware at this stage.** Leave hardware a little loose to aid in the installation of upcoming components. You will secure all hardware firmly when assembly is complete at **STEP 7.**

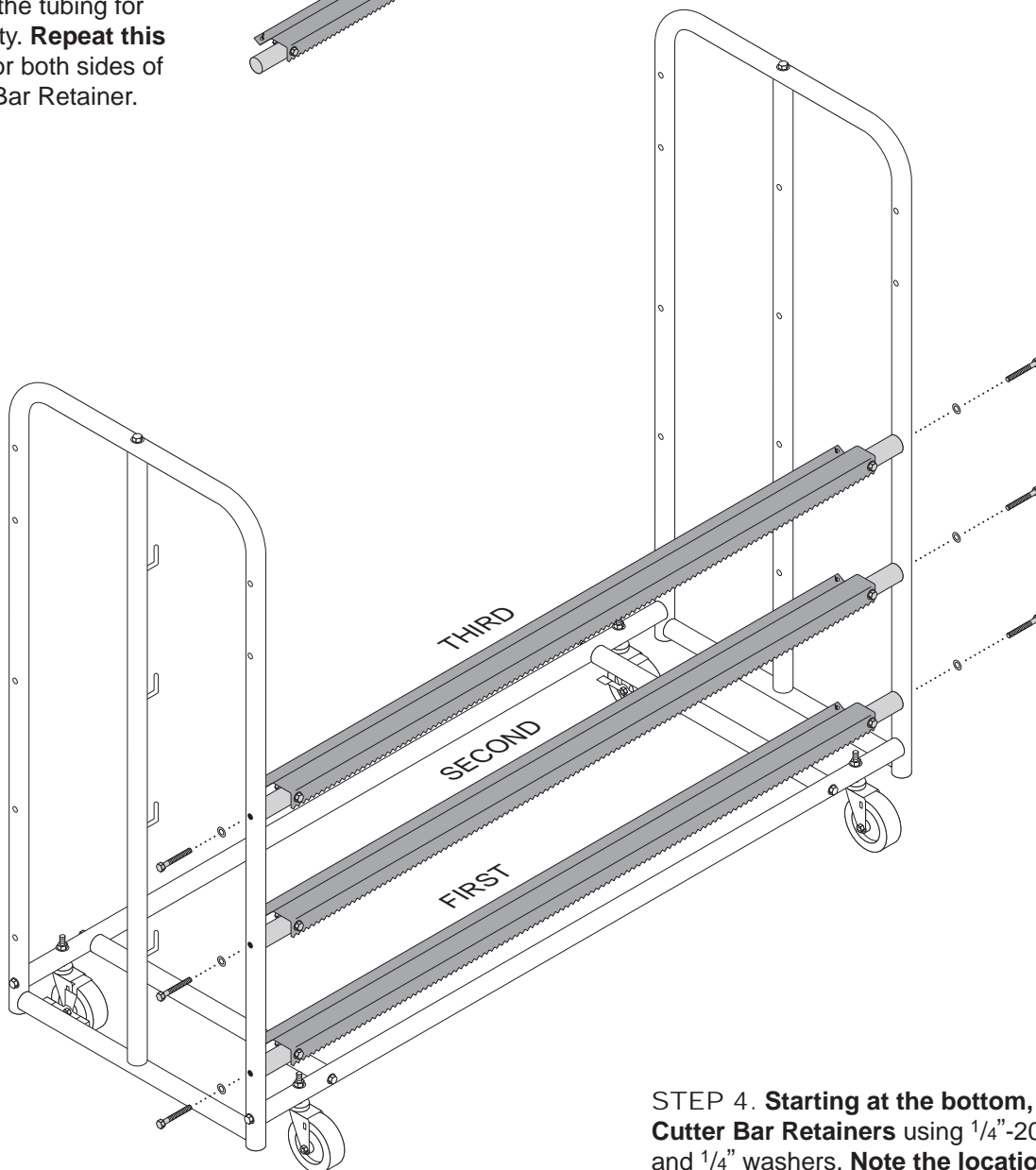
STEP 3. **Assemble Cutter Bar Retainers** using 1/4"-20 X 1 1/2" bolts and 1/4" washers. **NOTE:** All three Cutter Bar Retainers are identical. Simply repeat the procedures illustrated below for each end of the assemblies.



**Extension Spring "S"-Hooks attach** to the back side of the Cutter Bar. A washer is used on each side of the tubing for added security. **Repeat this procedure** for both sides of each Cutter Bar Retainer.



**Assembled view.**

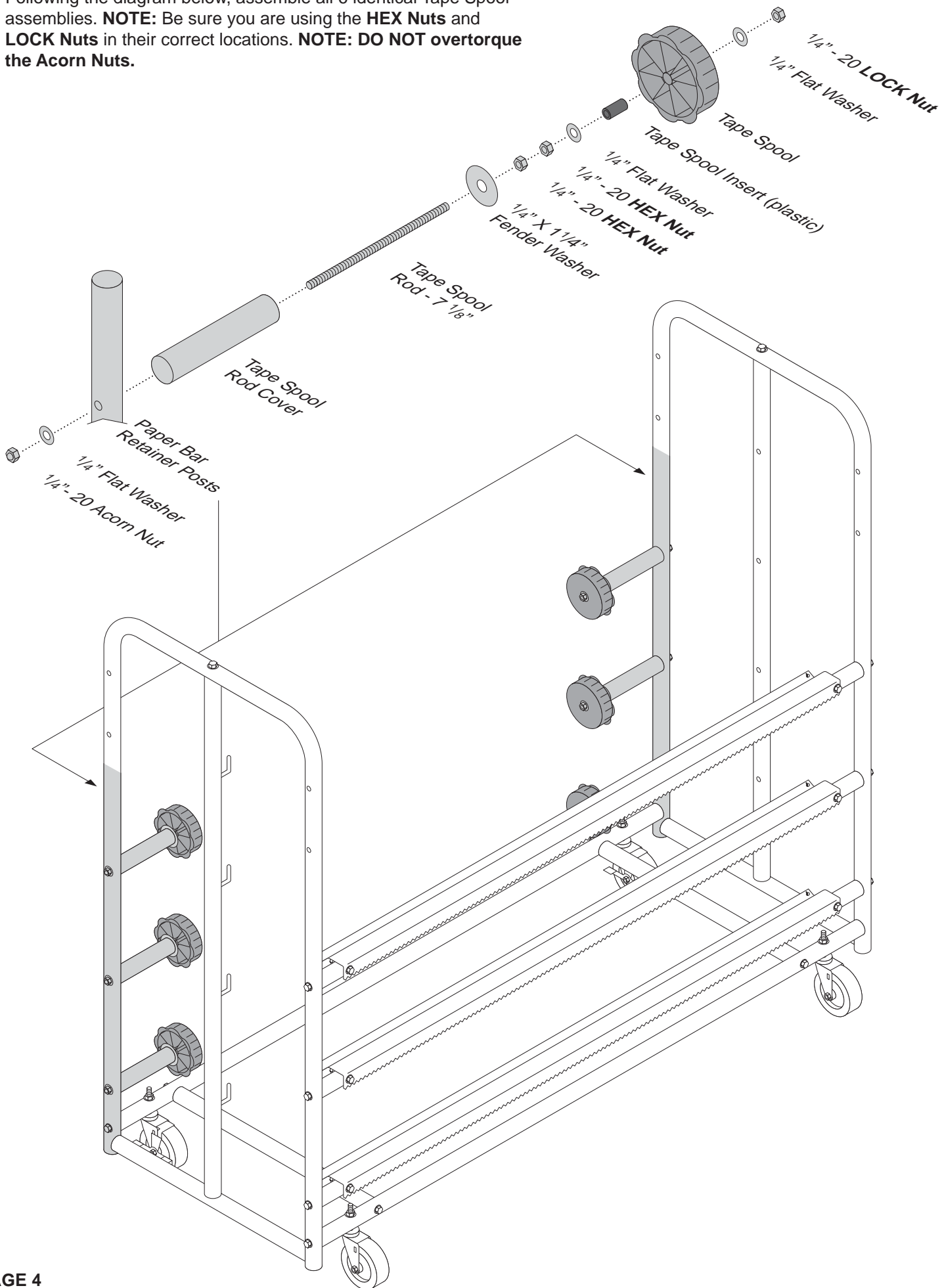


STEP 4. **Starting at the bottom, install the Cutter Bar Retainers** using 1/4"-20 X 2" bolts and 1/4" washers. **Note the locations of all punched holes** in all tubing to ensure proper assembly.

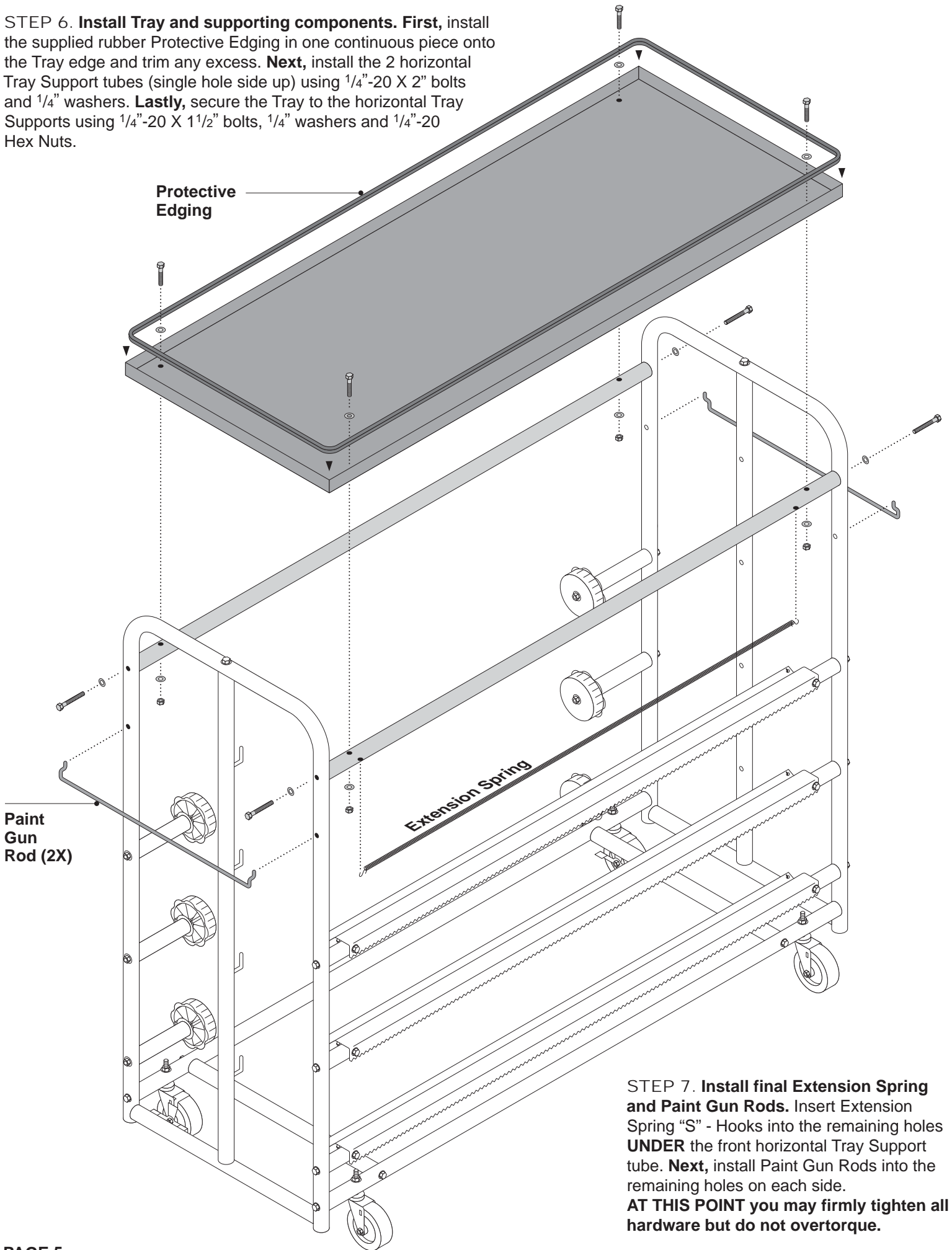
**NOTE:** Be sure that Cutter Bar teeth are facing forward and pointing down as pictured.

**STEP 5. Assemble and install the Tape Spool assemblies.**

Following the diagram below, assemble all 6 identical Tape Spool assemblies. **NOTE:** Be sure you are using the **HEX Nuts** and **LOCK Nuts** in their correct locations. **NOTE: DO NOT overtorque the Acorn Nuts.**

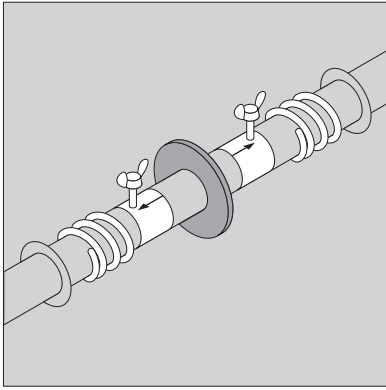


STEP 6. **Install Tray and supporting components.** First, install the supplied rubber Protective Edging in one continuous piece onto the Tray edge and trim any excess. Next, install the 2 horizontal Tray Support tubes (single hole side up) using 1/4"-20 X 2" bolts and 1/4" washers. Lastly, secure the Tray to the horizontal Tray Supports using 1/4"-20 X 1 1/2" bolts, 1/4" washers and 1/4"-20 Hex Nuts.



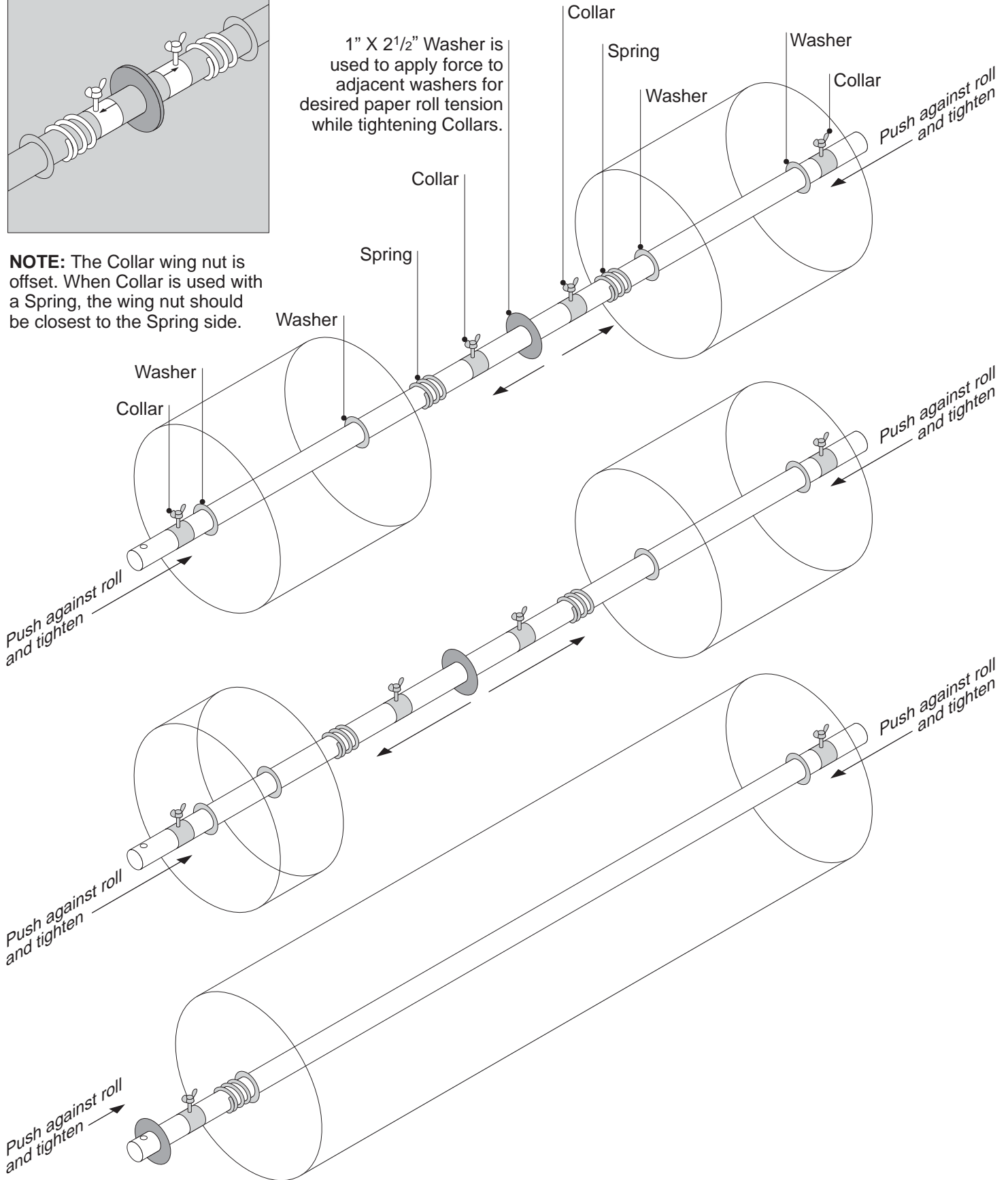
STEP 7. **Install final Extension Spring and Paint Gun Rods.** Insert Extension Spring "S" - Hooks into the remaining holes **UNDER** the front horizontal Tray Support tube. Next, install Paint Gun Rods into the remaining holes on each side. **AT THIS POINT** you may firmly tighten all hardware but do not overtorque.

STEP 8. **Roll assemblies.** Below are examples of Paper Bar Roll configurations. **Follow the hardware order closely for maximum performance.** You may place the rolls in any order on the bottom three hooks (next page). The top location is designated specifically for plastic rolls only. **Plastic rolls DO NOT use a Cutter Bar.**

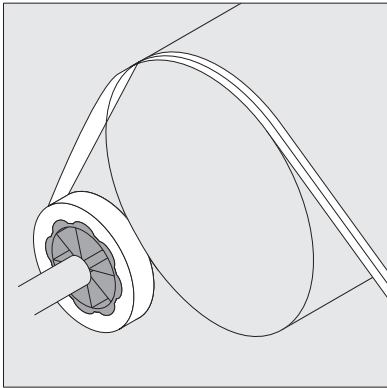


1" X 2 1/2" Washer is used to apply force to adjacent washers for desired paper roll tension while tightening Collars.

**NOTE:** The Collar wing nut is offset. When Collar is used with a Spring, the wing nut should be closest to the Spring side.

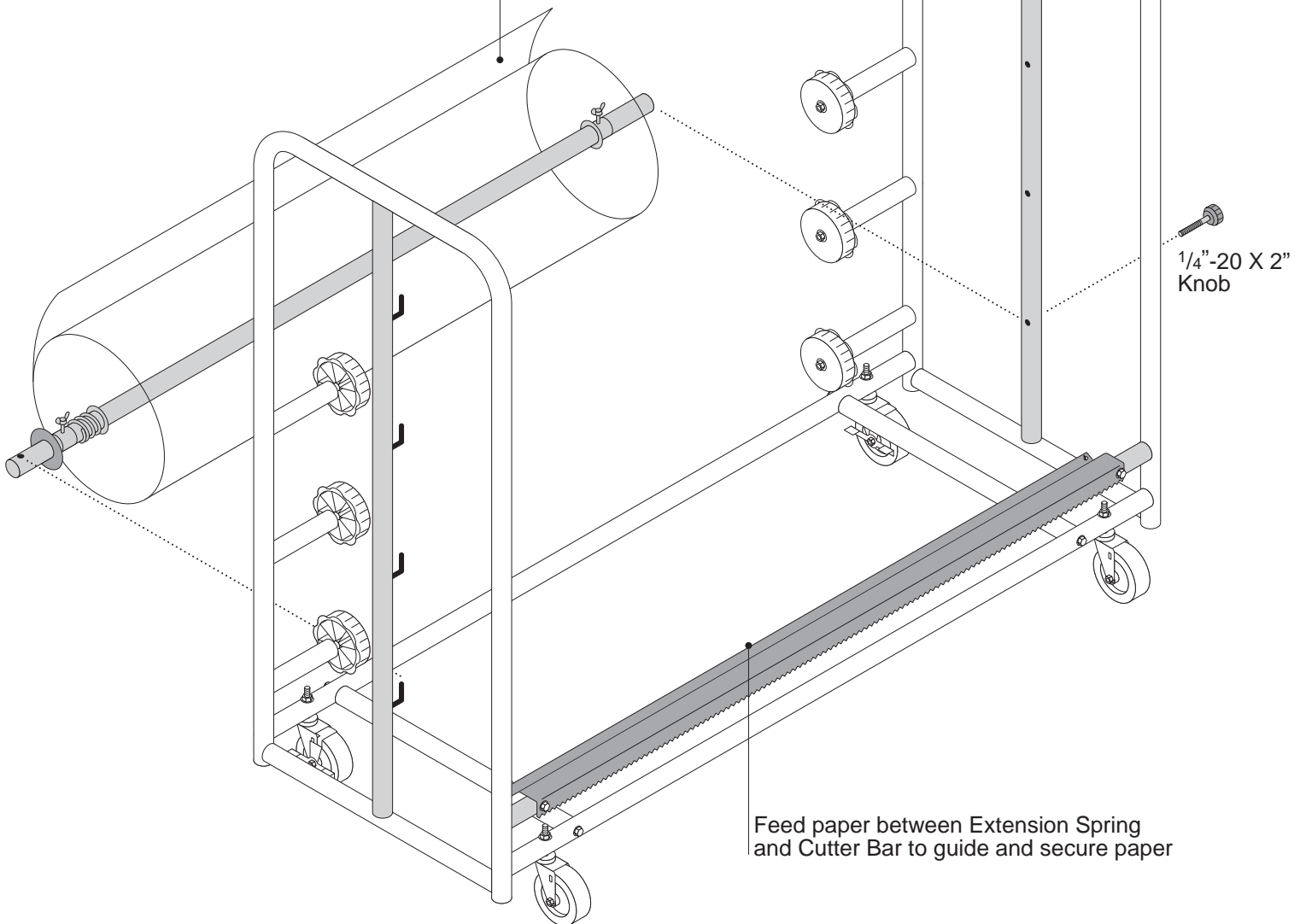


**STEP 9. Paper Bar roll installation.** Surrounding tubing has been removed from the illustration only to clearly view the installation area. Simply install the Paper Bar rolls from the back side. **Be sure that the hole in the Paper Bar tube is aligned to the "hook" side and secure the right side with the 1/4"-20 X 2" Knobs.** The paper will then be fed **BEHIND** the **Extension Spring on the Cutter Bar Retainer** to secure it in place for cutting.



**Align paper rolls** so that the tape from the tape spools covers half of the paper's edge.

Install for paper to come over the top



Feed paper between Extension Spring and Cutter Bar to guide and secure paper

## PART NUMBER BREAKDOWN for ORDERABLE PARTS

NOTE: EVERY part is orderable.  
If you do NOT see an item called out in this illustration (such as specific nuts, bolts, washers etc.) refer to the **parts list** on Page 1 and contact the supplier where you ordered your Prep Station.

