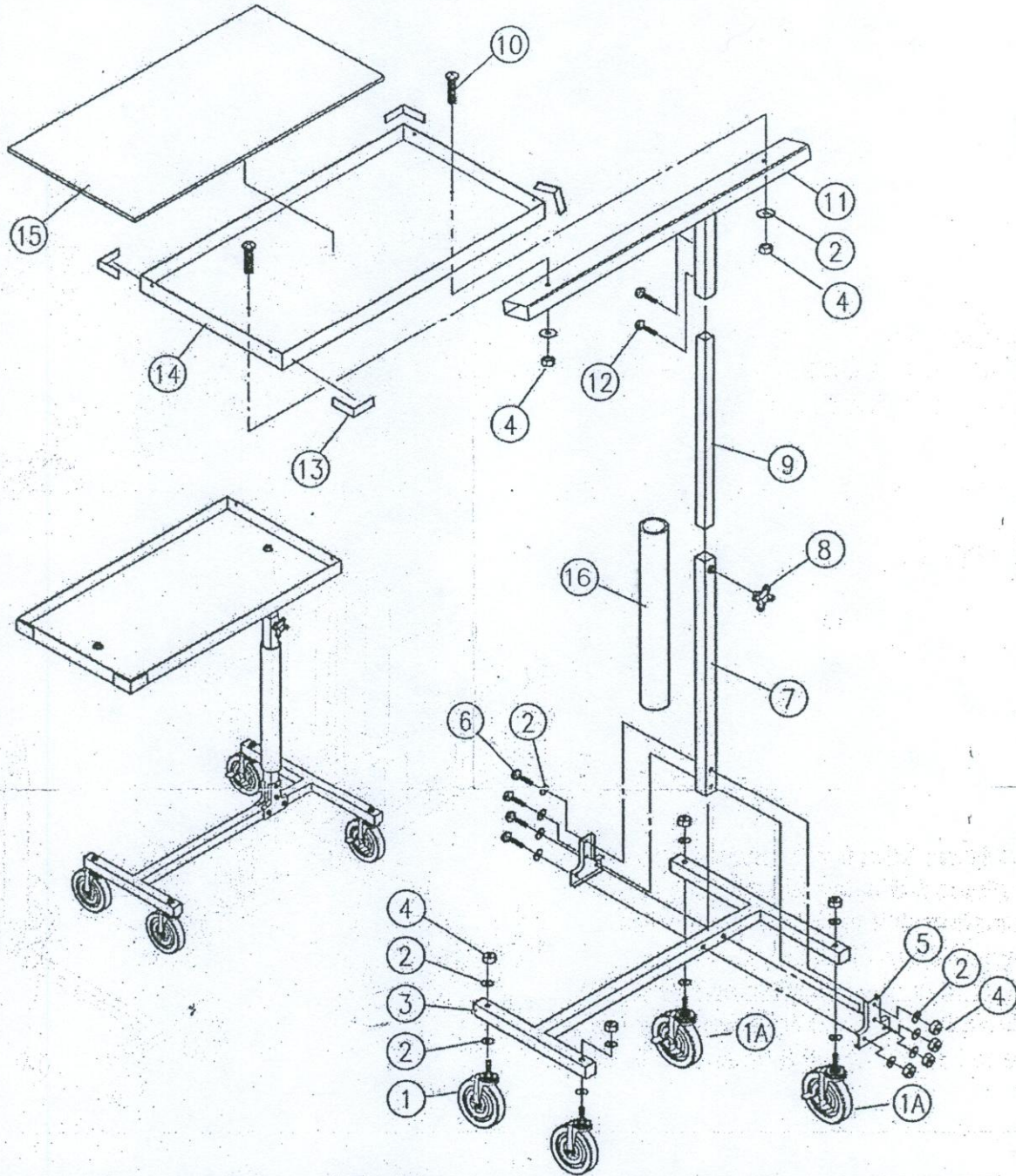


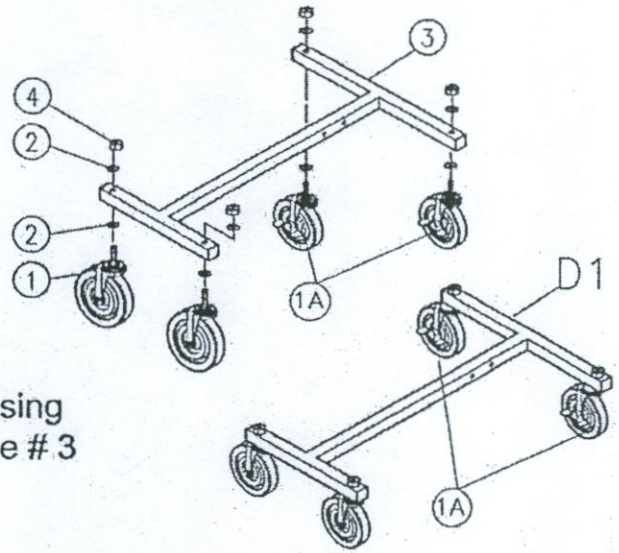
# 78035 MOBIL TOOL TRAY



| Item No | Description       | Q'ty | Item No. | Description           | Q'ty |
|---------|-------------------|------|----------|-----------------------|------|
| 1       | 3" Castor         | 2    | 9        | Upper Tube            | 1    |
| 1A      | 3" Locking Castor | 2    | 10       | 3/8"x1-1/2" Flat Head | 2    |
| 2       | 3/8" Flat Washer  | 18   | 11       | Top Tube              | 1    |
| 3       | Base Tube         | 1    | 12       | 3/8"x5/8" Bolt        | 2    |
| 4       | 3/8" Lock Nut     | 10   | 13       | Foam Corner Cushions  | 4    |
| 5       | Plate             | 2    | 14       | Tray                  | 1    |
| 6       | 3/8"x2" Bolt      | 4    | 15       | Tray Liner            | 1    |
| 7       | Lower Tube        | 1    | 16       | Foam Cushion          | 1    |
| 8       | Knob              | 1    |          |                       |      |

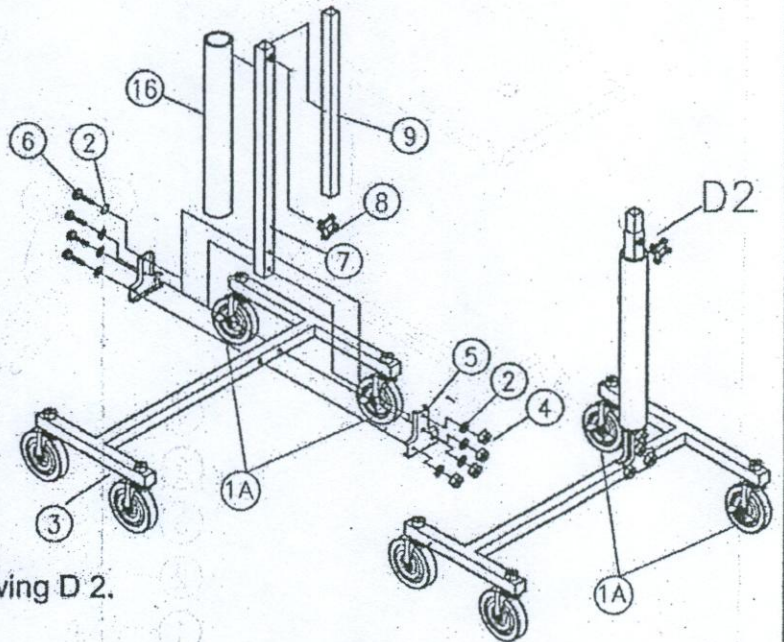
# Assembly Instructions

## Step 1.



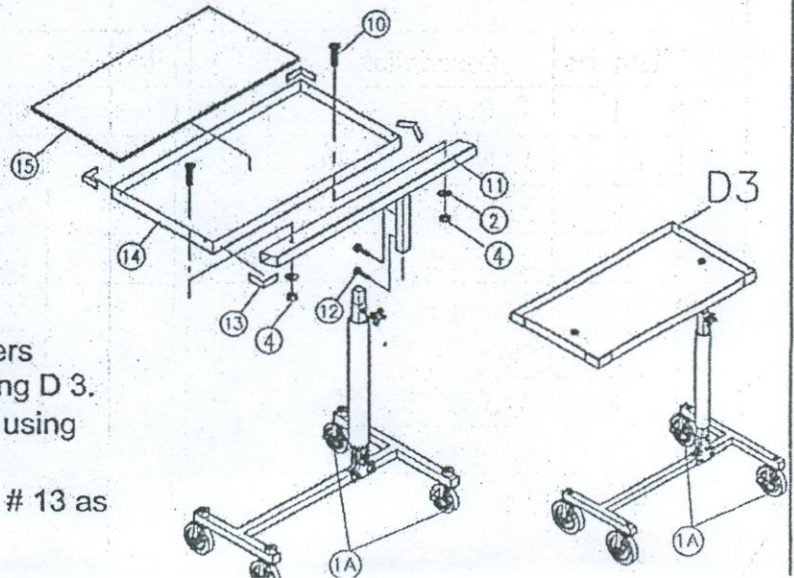
Install castors # 1 and locking castors # 1A using flat washers # 2 and lock nuts # 4 to base tube # 3 as shown in drawing D 1.

## Step 2.



Install lower tube # 7 to base tube # 3 with plates # 5 using  $3/8 \times 2$ " # 6 bolts, flat washers # 2 and lock nuts # 4 as shown in drawing D 2.  
slide foam cushion # 16 over lower tube # 7 Install upper tube # 9 into lower tube # 7 and install knob # 8 as shown in Drawing D 2.

## Step 3.



Install tray # 14 to top tube # 11 using  $3/8 \times 1 \frac{1}{2}$ " flat head bolts # 10, flat washers # 2 and lock nuts # 4 as shown in drawing D 3.  
Insert top tube # 11 in to upper tube # 9 using  $3/8 \times 5/8$ " bolts.  
Install tray liner # 15 and foam cushions # 13 as shown in drawing D 3.