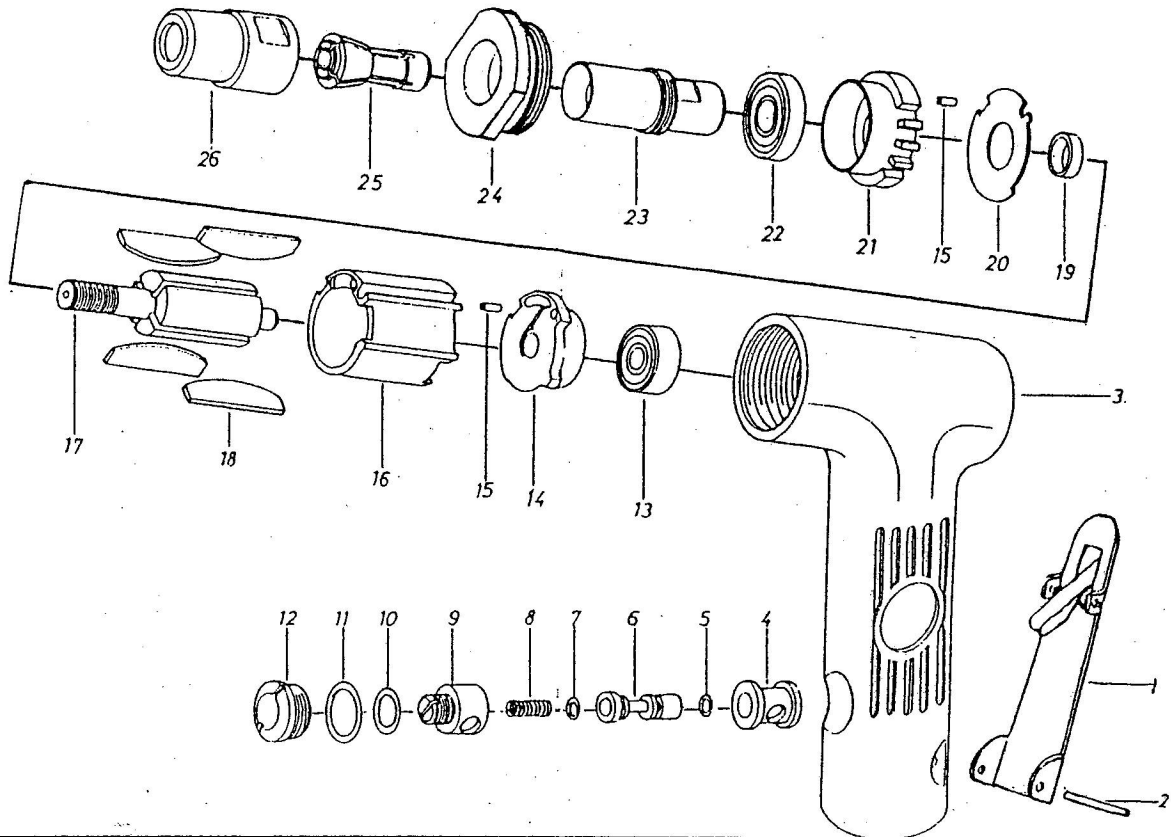


ANGLE HEAD DIE GRINDER



| Index No | Part No | Description | Q'ty | Index No | Part No | Description | Q'ty |
|----------|----------|----------------|------|----------|----------|----------------|------|
| 01 | 0308A001 | Throttle Lever | 1 | 17 | 0308A017 | Rotor | 1 |
| 02 | 0308A002 | Spring Pin | 1 | 18 | 0308A018 | Blade | 1 |
| 03 | 0308A003 | Housing | 1 | 19 | 0308A019 | Collar | 1 |
| 04 | 0308A004 | Valve Bushing | 1 | 20 | 0308A020 | Steel Plate | 1 |
| 05 | 0308A005 | O-Ring | 1 | 21 | 0308A021 | Front Plate | 1 |
| 06 | 0308A006 | Valve Stem | 1 | 22 | 0308A022 | Bearing | 1 |
| 07 | 0308A007 | O-Ring | 1 | 23 | 0308A023 | Spindle | 1 |
| 08 | 0308A008 | Valve Spring | 1 | 24 | 0308A024 | Lock Ring | 1 |
| 09 | 0308A009 | Air Controller | 1 | 25 | 0308A025 | Collet | 1 |
| 10 | 0308A010 | O-Ring | 1 | 26 | 0308A026 | Collet Nut | 1 |
| 11 | 0308A011 | O-Ring | 1 | 27 | 0308A027 | Exhaust Sleeve | 1 |
| 12 | 0308A012 | Valve Screw | 1 | 28 | 0308A028 | O-Ring | 1 |
| 13 | 0308A013 | Bearing | 1 | 29 | 0308A029 | Air Inlet | 1 |
| 14 | 0308A014 | End Plate | 1 | 30 | 0308A030 | Wrench(11mm) | 1 |
| 15 | 0308A015 | Pin | 2 | 31 | 0308A031 | Wrench(17mm) | 1 |
| 16 | 0308A016 | Cylinder | 1 | | | | |

